

Assembly Instructions

Please ensure power is switched off before installation. The luminaire must be installed in accordance with local building and wiring regulations, if in doubt please contact a suitably qualified person.

Please also turn off power before changing the bulb and cleaning the fixture.

Option A - Decorative Frame

For use in an existing ceiling recess.

Use housing with frame(3).

Secure frame to the housing(1) with the provided screws(2).

Make the necessary electrical connection. Once all electrical connections are made wrap the terminal block in 2 layers of good quality insulation tape.

Push the unit up through the ceiling recess

Tighten the adjustment screws(4) clockwise until the frame is secure and flush with the ceiling surface.

Option B - Invisible Frame

For use in ceiling construction

Fit the Frame(5) into the ceiling recess and plaster into place.

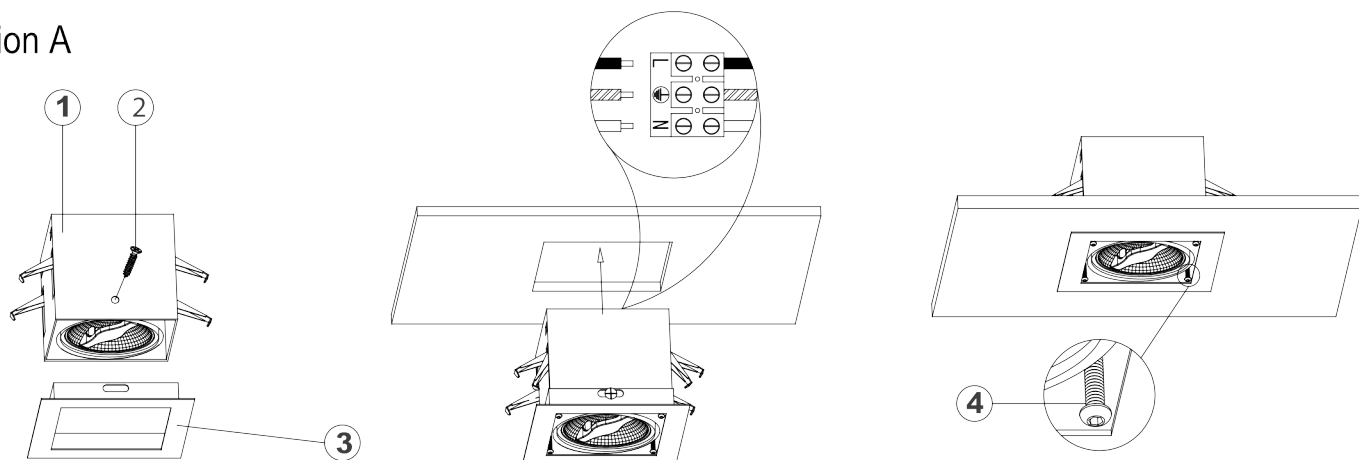
Make the necessary electrical connection. Once all electrical connections are made wrap the terminal block in 2 layers of good quality insulation tape.

Push the unit up through the ceiling recess

Tighten the adjustment screws(4) clockwise until the housing is secure and flush with the ceiling surface.

Please retain instructions for future reference

Option A



Option B

